



## 3-Pin, Ultra-Low-Voltage, Low-Power $\mu$ P Reset Circuits

MAX6332/MAX6333/MAX6334

### General Description

The MAX6332/MAX6333/MAX6334 microprocessor ( $\mu$ P) supervisory circuits monitor the power supplies in 1.8V to 3.3V  $\mu$ P and digital systems. They increase circuit reliability and reduce cost by eliminating external components and adjustments.

These devices perform a single function: they assert a reset signal whenever the  $V_{CC}$  supply voltage declines below a preset threshold, keeping it asserted for a preset timeout period after  $V_{CC}$  has risen above the reset threshold. The only difference among the three devices is their output. The MAX6333 (push/pull) and MAX6334 (open-drain) have an active-low  $\overline{\text{RESET}}$  output, while the MAX6332 (push/pull) has an active-high RESET output. The MAX6332/MAX6333 are guaranteed to be in the correct state for  $V_{CC}$  down to 0.7V. The MAX6334 is guaranteed to be in the correct state for  $V_{CC}$  down to 1.0V.

The reset comparator in these ICs is designed to ignore fast transients on  $V_{CC}$ . Reset thresholds are factory-trimmable between 1.6V and 2.5V, in approximately 100mV increments. There are 15 standard versions available (2,500 piece minimum-order quantity); contact the factory for availability of nonstandard versions (10,000 piece minimum-order quantity). For space-critical applications, the MAX6332/MAX6333/MAX6334 come packaged in a 3-pin SOT23.

### Applications

Pentium II™ Computers  
Computers  
Controllers  
Intelligent Instruments  
Critical  $\mu$ P/ $\mu$ C Power Monitoring  
Portable/Battery-Powered Equipment  
Automotive

**Typical Operating Circuit and Pin Configuration appear at end of data sheet.**

**Selector Guide appears at end of data sheet.**

*Pentium II is a trademark of Intel Corp.*

### Features

- ◆ Ultra-Low 0.7V Operating Supply Voltage
- ◆ Low 3.3 $\mu$ A Supply Current
- ◆ Precision Monitoring of 1.8V and 2.5V Power-Supply Voltages
- ◆ Reset Thresholds Available from 1.6V to 2.5V, in Approximately 100mV Increments
- ◆ Fully Specified over Temperature
- ◆ Three Power-On Reset Pulse Widths Available (1ms min, 20ms min, 100ms min)
- ◆ Low Cost
- ◆ Three Available Output Structures: Push/Pull  $\overline{\text{RESET}}$ , Push/Pull RESET, Open-Drain  $\overline{\text{RESET}}$
- ◆ Guaranteed  $\overline{\text{RESET}}$ / $\overline{\text{RESET}}$  Valid to  $V_{CC} = 0.7V$  (MAX6332/MAX6333)
- ◆ Power-Supply Transient Immunity
- ◆ No External Components
- ◆ 3-Pin SOT23 Package
- ◆ Pin Compatible with MAX809/MAX810 and MAX6326/MAX6327/MAX6328

### Ordering Information

PART*	TEMP. RANGE	PIN-PACKAGE
MAX6332UR_D-T	-40°C to +125°C	3 SOT23-3
MAX6333UR_D-T	-40°C to +125°C	3 SOT23-3
MAX6334UR_D-T	-40°C to +125°C	3 SOT23-3

\* These devices are available in factory-set  $V_{CC}$  reset thresholds from 1.6V to 2.5V, in approximately 0.1V increments. Choose the desired reset threshold suffix from Table 1 and insert it in the blanks following "UR" in the part number. Factory-programmed reset timeout periods are also available. Insert the number corresponding to the desired nominal reset timeout period (1 = 1ms min, 2 = 20ms min, 3 = 100ms min) in the blank following "D" in the part number. There are 15 standard versions with a required order increment of 2500 pieces. Sample stock is generally held on the standard versions only (see Selector Guide). Contact the factory for availability of non-standard versions (required order increment is 10,000 pieces). All devices available in tape-and-reel only. Devices are available in both leaded and lead-free packaging. Specify lead-free by replacing "-T" with "+T" when ordering.



# 3-Pin, Ultra-Low-Voltage, Low-Power $\mu$ P Reset Circuits

## ABSOLUTE MAXIMUM RATINGS

Terminal Voltage (with respect to GND)

$V_{CC}$ .....	-0.3V to +6V
Push/Pull $\overline{\text{RESET}}$ , $\overline{\text{RESET}}$ .....	-0.3V to ( $V_{CC} + 0.3$ V)
Open-Drain $\overline{\text{RESET}}$ .....	-0.3V to +6V
Input Current ( $V_{CC}$ ) .....	.20mA
Output Current ( $\overline{\text{RESET}}$ , $\overline{\text{RESET}}$ ) .....	.20mA

Continuous Power Dissipation ( $T_A = +70^\circ\text{C}$ )

SOT23-3 (derate 4mW/ $^\circ\text{C}$ above $+70^\circ\text{C}$ ) .....	320mW
Operating Temperature Range .....	$-40^\circ\text{C}$ to $+125^\circ\text{C}$
Storage Temperature Range .....	$-65^\circ\text{C}$ to $+160^\circ\text{C}$
Lead Temperature (soldering, 10s) .....	$+300^\circ\text{C}$

Stresses beyond those listed under "Absolute Maximum Ratings" may cause permanent damage to the device. These are stress ratings only, and functional operation of the device at these or any other conditions beyond those indicated in the operational sections of the specifications is not implied. Exposure to absolute maximum rating conditions for extended periods may affect device reliability.

## ELECTRICAL CHARACTERISTICS

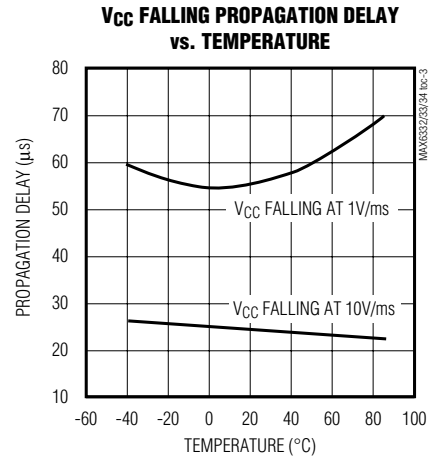
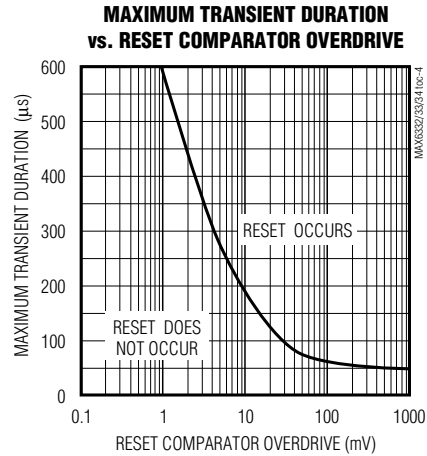
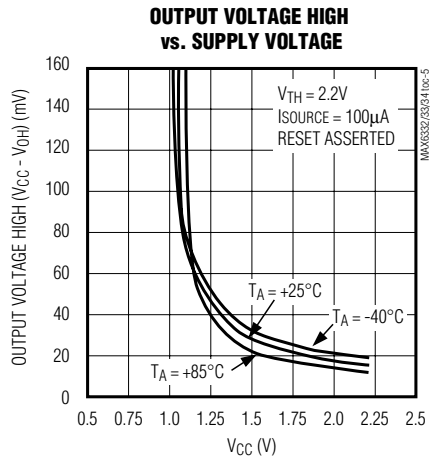
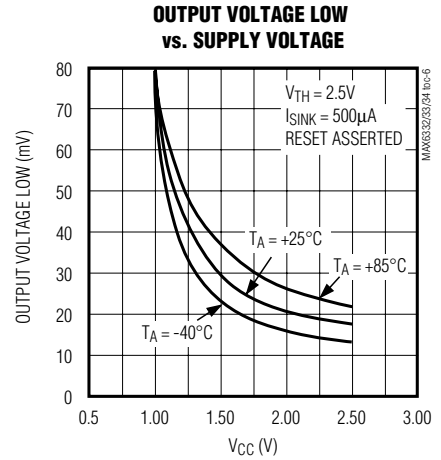
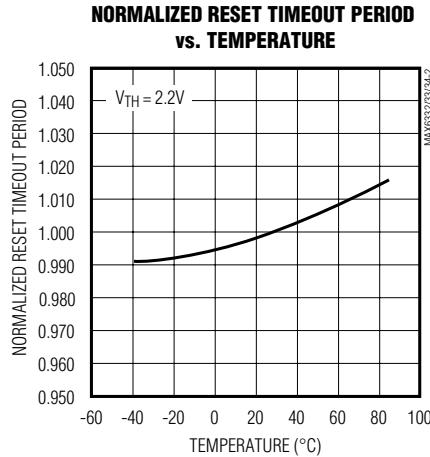
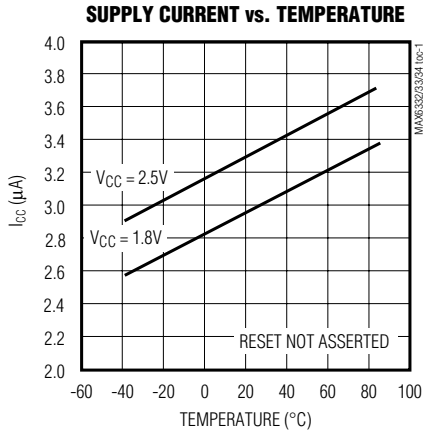
( $V_{CC}$  = full range,  $T_A = -40^\circ\text{C}$  to  $+125^\circ\text{C}$ , unless otherwise noted. Typical values are at  $T_A = +25^\circ\text{C}$  and  $V_{CC} = 3\text{V}$ , reset not assert-

PARAMETER	SYMBOL	CONDITIONS		MIN	TYP	MAX	UNITS
Supply Voltage Range	$V_{CC}$	$T_A = 0^\circ\text{C}$ to $+85^\circ\text{C}$	MAX6332/MAX6333	0.7		5.5	V
			MAX6334	1.0		5.5	
		$T_A = -40^\circ\text{C}$ to $+85^\circ\text{C}$	MAX6332/MAX6333	0.78		5.5	
			MAX6334	1.2		5.5	
		$T_A = -40^\circ\text{C}$ to $+125^\circ\text{C}$	MAX6332/MAX6333	1.2		5.5	
			MAX6334				
Supply Current	$I_{CC}$	No load	$V_{CC} = 1.8\text{V}$		3.0	6.0	$\mu\text{A}$
			$V_{CC} = 2.5\text{V}$		3.3	7.0	
Reset Threshold	$V_{TH}$	MAX633_UR__D_-T, Table 1	$T_A = +25^\circ\text{C}$	$V_{TH} - 1.8\%$	$V_{TH}$	$V_{TH} + 1.8\%$	V
			$T_A = -40^\circ\text{C}$ to $+125^\circ\text{C}$	$V_{TH} - 3\%$	$V_{TH}$	$V_{TH} + 3\%$	
$V_{CC}$ Falling Reset Delay		$V_{CC}$ falling at 10V/ms			24		$\mu\text{s}$
Reset Active Timeout Period	$t_{RP}$	MAX633_UR__D1-T		1	1.5	2	ms
		MAX633_UR__D2-T		20	30	40	
		MAX633_UR__D3-T		100	150	200	
$\overline{\text{RESET}}$ Output Low Voltage (MAX6333/MAX6334)	$V_{OL}$	Reset asserted	$I_{SINK} = 50\mu\text{A}$ , $V_{CC} \geq 1.0\text{V}$			0.4	V
			$I_{SINK} = 500\mu\text{A}$ , $V_{CC} \geq 1.8\text{V}$			0.3	
$\overline{\text{RESET}}$ Output High Voltage (MAX6333)	$V_{OH}$	Reset not asserted	$I_{SOURCE} = 200\mu\text{A}$ , $V_{CC} \geq 1.8\text{V}$	0.8 $V_{CC}$			V
			$I_{SOURCE} = 500\mu\text{A}$ , $V_{CC} \geq 2.7\text{V}$	0.8 $V_{CC}$			
RESET Output Voltage (MAX6332)	$V_{OH}$	Reset asserted	$I_{SOURCE} = 1\mu\text{A}$ , $V_{CC} \geq 1.0\text{V}$	0.8 $V_{CC}$			V
			$I_{SOURCE} = 200\mu\text{A}$ , $V_{CC} \geq 1.8\text{V}$	0.8 $V_{CC}$			
	$V_{OL}$	Reset not asserted	$I_{SINK} = 500\mu\text{A}$ , $V_{CC} \geq 1.8\text{V}$			0.3	V
			$I_{SINK} = 1.2\text{mA}$ , $V_{CC} \geq 2.7\text{V}$			0.3	
$\overline{\text{RESET}}$ Output Leakage Current (MAX6334)		$V_{CC} > V_{TH}$ , $\overline{\text{RESET}}$ deasserted				0.5	$\mu\text{A}$

# 3-Pin, Ultra-Low-Voltage, Low-Power $\mu$ P Reset Circuits

## Typical Operating Characteristics

(Reset not asserted,  $T_A = +25^\circ\text{C}$ , unless otherwise noted.)



## Pin Description

PIN		NAME	FUNCTION
MAX6332	MAX6333 MAX6334		
1	1	GND	Ground
—	2	$\overline{\text{RESET}}$	Active-Low Reset Output. $\overline{\text{RESET}}$ remains low while $V_{CC}$ is below the reset threshold and for a reset timeout period ( $t_{RP}$ ) after $V_{CC}$ rises above the reset threshold. $\overline{\text{RESET}}$ on the MAX6334 is open-drain.
2	—	RESET	Active-High Reset Output. RESET remains high while $V_{CC}$ is below the reset threshold and for a reset timeout period ( $t_{RP}$ ) after $V_{CC}$ rises above the reset threshold.
3	3	$V_{CC}$	Supply Voltage (0.7V to 5.5V)

# 3-Pin, Ultra-Low-Voltage, Low-Power $\mu$ P Reset Circuits

## Applications Information

### Interfacing to $\mu$ Ps with Bidirectional Reset Pins

Since the  $\overline{\text{RESET}}$  output on the MAX6334 is open-drain, this device interfaces easily with  $\mu$ Ps that have bidirectional reset pins, such as the Motorola 68HC11. Connecting the  $\mu$ P supervisor's  $\overline{\text{RESET}}$  output directly to the microcontroller's ( $\mu$ C's)  $\overline{\text{RESET}}$  pin with a single pull-up resistor allows either device to assert reset (Figure 1).

### Negative-Going $V_{CC}$ Transients

In addition to issuing a reset to the  $\mu$ P during power-up, power-down, and brownout conditions, these devices are relatively immune to short-duration, negative-going  $V_{CC}$  transients (glitches). The *Typical Operating Characteristics* show the Maximum Transient Duration vs. Reset Comparator Overdrive graph. The graph shows the maximum pulse width that a negative-going  $V_{CC}$  transient may typically have without issuing a reset signal. As the amplitude of the transient increases, the maximum allowable pulse width decreases.

### Ensuring a Valid Reset Output Down to $V_{CC} = 0$

When  $V_{CC}$  falls below 1V and approaches the minimum operating voltage of 0.7V, push/pull-structured reset sinking (or sourcing) capabilities decrease drastically. High-impedance CMOS-logic inputs connected to the  $\overline{\text{RESET}}$  pin can drift to indeterminate voltages. This does not present a problem in most cases, since most  $\mu$ Ps and circuitry do not operate at  $V_{CC}$  below 1V. For the MAX6333, where  $\overline{\text{RESET}}$  must be valid down to 0, adding a pull-down resistor between  $\overline{\text{RESET}}$  and GND removes stray leakage currents, holding  $\overline{\text{RESET}}$  low (Figure 2a). The pull-down resistor value is not critical; 100k $\Omega$  is large enough not to load  $\overline{\text{RESET}}$  and small enough to pull it low. For the MAX6332, where  $\overline{\text{RESET}}$  must be valid to  $V_{CC} = 0$ , a 100k $\Omega$  pull-up resistor between  $\overline{\text{RESET}}$  and  $V_{CC}$  will hold  $\overline{\text{RESET}}$  high when  $V_{CC}$  falls below 0.7V (Figure 2b).

Since the MAX6334 has an open-drain, active-low output, it typically uses a pull-up resistor. With this device,  $\overline{\text{RESET}}$  will most likely not maintain an active condition, but will drift to a non-active level due to the pull-up resistor and the reduced sinking capability of the open-drain device. Therefore, this device is not recommended for applications where the  $\overline{\text{RESET}}$  pin is required to be valid down to  $V_{CC} = 0$ .

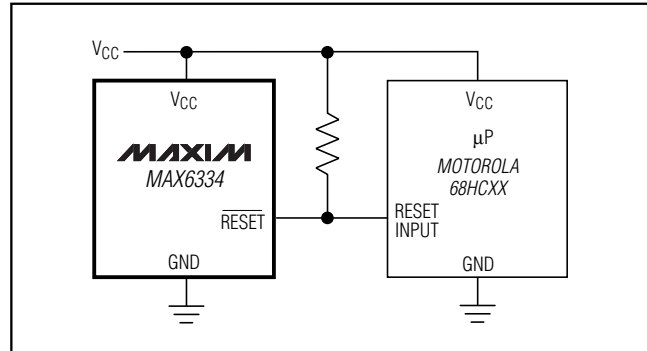


Figure 1. Interfacing to  $\mu$ Ps with Bidirectional Reset Pins

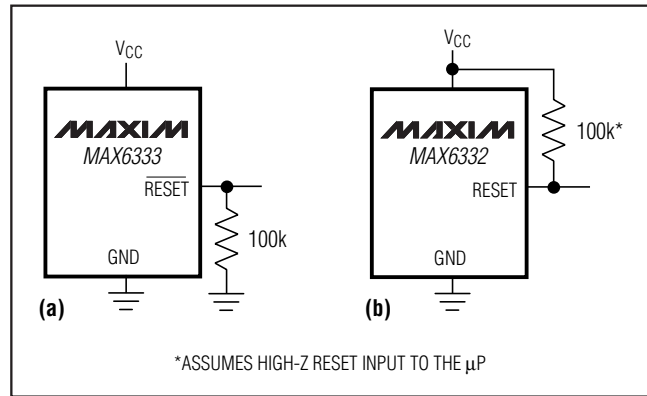


Figure 2. Ensuring Reset Valid Down to  $V_{CC} = 0$

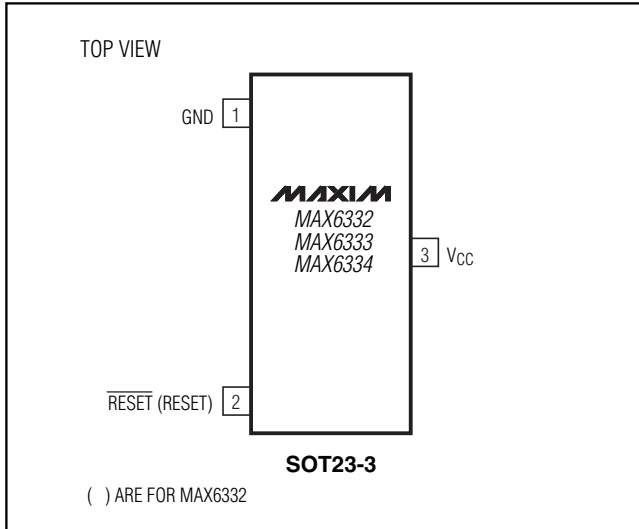
Table 1. Factory-Trimmed Reset Thresholds\*

RESET-THRESHOLD SUFFIX	$T_A = +25^\circ\text{C}$			$T_A = -40^\circ\text{C to } +125^\circ\text{C}$	
	MIN	TYP	MAX	MIN	MAX
MAX633_UR25D_	2.46	2.50	2.55	2.43	2.58
MAX633_UR24D_	2.36	2.40	2.44	2.33	2.47
MAX633_UR23D_	2.26	2.30	2.34	2.23	2.37
MAX633_UR22D_	2.16	2.20	2.24	2.13	2.27
MAX633_UR21D_	2.06	2.10	2.14	2.04	2.16
MAX633_UR20D_	1.96	2.00	2.04	1.94	2.06
MAX633_UR19D_	1.87	1.90	1.93	1.84	1.96
MAX633_UR18D_	1.77	1.80	1.83	1.75	1.85
MAX633_UR17D_	1.67	1.70	1.73	1.65	1.75
MAX633_UR16D_	1.57	1.60	1.63	1.55	1.65

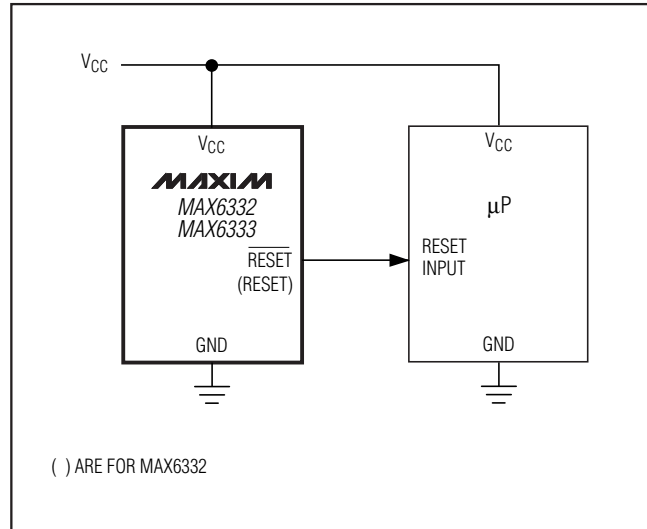
\* Factory-trimmed reset thresholds are available in approximately 100mV increments, with a  $\pm 1.8\%$  room-temperature variance.

# 3-Pin, Ultra-Low-Voltage, Low-Power $\mu$ P Reset Circuits

## Pin Configuration



## Typical Operating Circuit



MAX6332/MAX6333/MAX6334

## Selector Guide (Standard Versions\*)

PART	OUTPUT STAGE	NOMINAL $V_{TH}$ (V)	MINIMUM RESET TIMEOUT (ms)	SOT TOP MARK
<b>MAX6332</b> UR23D3-T	Push/Pull RESET	2.30	100	FZDM
MAX6332UR22D3-T	Push/Pull RESET	2.20	100	FZCN
MAX6332UR20D3-T	Push/Pull RESET	2.00	100	FZDL
MAX6332UR18D3-T	Push/Pull RESET	1.80	100	FZCM
MAX6332UR16D3-T	Push/Pull RESET	1.60	100	FZCL
<b>MAX6333</b> UR23D3-T	Push/Pull $\overline{\text{RESET}}$	2.30	100	FZCS
MAX6333UR22D3-T	Push/Pull $\overline{\text{RESET}}$	2.20	100	FZCR
MAX6333UR20D3-T	Push/Pull $\overline{\text{RESET}}$	2.00	100	FZCQ
MAX6333UR18D3-T	Push/Pull $\overline{\text{RESET}}$	1.80	100	FZCP
MAX6333UR16D3-T	Push/Pull $\overline{\text{RESET}}$	1.60	100	FZCO
<b>MAX6334</b> UR23D3-T	Open-Drain $\overline{\text{RESET}}$	2.30	100	FZDO
MAX6334UR22D3-T	Open-Drain $\overline{\text{RESET}}$	2.20	100	FZCV
MAX6334UR20D3-T	Open-Drain $\overline{\text{RESET}}$	2.00	100	FZDN
MAX6334UR18D3-T	Open-Drain $\overline{\text{RESET}}$	1.80	100	FZCU
MAX6334UR16D3-T	Open-Drain $\overline{\text{RESET}}$	1.60	100	FZCT

\* Sample stock is generally held on all standard versions.

# 3-Pin, Ultra-Low-Voltage, Low-Power $\mu$ P Reset Circuits

## Chip Information

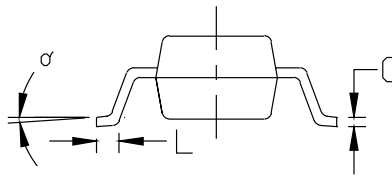
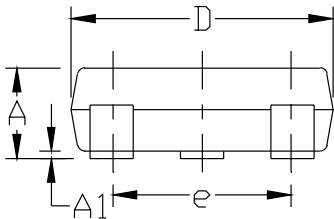
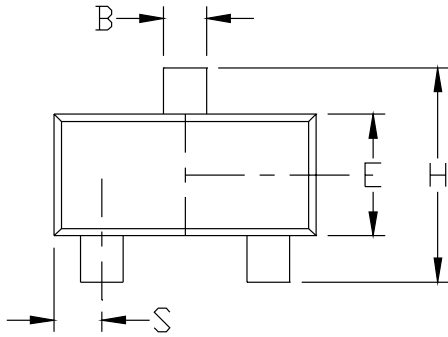
TRANSISTOR COUNT: 505

## Package Information

(The package drawing(s) in this data sheet may not reflect the most current specifications. For the latest package outline information, go to [www.maxim-ic.com/packages](http://www.maxim-ic.com/packages).)

NOTES:

1. D&E DO NOT INCLUDE MOLD FLASH.
2. MOLD FLASH OR PROTRUSIONS NOT TO EXCEED .15mm (.006")
3. CONTROLLING DIMENSION: MILLIMETER



DIM	INCHES		MILLIMETERS	
	MIN	MAX	MIN	MAX
A	0.031	0.047	0.787	1.194
A1	0.001	0.005	0.025	0.127
B	0.014	0.022	0.356	0.559
C	0.0034	0.006	0.086	0.152
D	0.105	0.120	2.667	3.048
E	0.047	0.055	1.194	1.397
e	0.070	0.080	1.778	2.032
H	0.082	0.098	2.083	2.489
L	0.004	0.012	0.102	0.305
S	0.017	0.022	0.432	0.559
$\alpha$	0°	8°	0°	8°

SOT-03LEPS

<b>MAXIM</b>			
<small>PROPRIETARY INFORMATION</small>			
<small>TITLE:</small>			
PACKAGE OUTLINE, SOT-23, 3L			
<small>APPROVAL</small>	<small>DOCUMENT CONTROL NO.</small>	<small>REV</small>	<small>1/1</small>
	21-0051	C	

Maxim cannot assume responsibility for use of any circuitry other than circuitry entirely embodied in a Maxim product. No circuit patent licenses are implied. Maxim reserves the right to change the circuitry and specifications without notice at any time.

6 Maxim Integrated Products, 120 San Gabriel Drive, Sunnyvale, CA 94086 408-737-7600